

RANGE OF SPECIAL PIECES

	1	1E	2	3	4	5	6	7	8	9	10	11	12	13	14	15	16	17	18	19	20	21	22	23	
AD 02 Island																									
AD 03 African Stone																									
AD 05 Vulcan																									
AW 01 Fence																									
AW 03 Cabin																									
AW 05 Bench																									
AW 07 Boat																									
EP 01 Crema delicato																									
EP 02 Pietra piacentina																									
EP 03 Lagos grey																									
EP 04 Crema luna																									
JW 02 Calacatta Reale																									
JW 04 Travertino Classico																									
JW 06 Fumo di Londra																									
LB 04 Lab_mou																									
LB 07 Lab_fog																									
MP 02 Way																									
MP 03 Block																									
MP 04 Road																									
NA 01 Fado																									
NA 02 Indie																									
NA 03 Epic																									
OF 02 Romantic																									
OF 03 Dark																									
OF 04 Gothic																									
RR 01 Vit																									
RR 02 Grå																									
RR 03 Svart																									
QR 01 Glacier																									
QR 02 Mountain																									
QR 03 Waterfall																									
QR 04 River																									
QR 05 Mantle																									
SI 01 Artico																									
SI 04 Havana																									
SI 05 Dakota																									
SO 05 Chambrod																									
SO 10 Pierre Bleue																									
SO 11 Pierre Bleue Sablée																									
SD 01 Origin																									
SD 02 Classic																									
SD 03 Spirit																									
TB 02 Harrison																									
TB 03 Hudson																									
TB 04 Greenwich																									
TB 05 Broadway																									

	SG.R. 25 16x30 (6 ⁵ / ₁₆ "x12")	AI 2x16 (3/4"x6 ⁵ / ₁₆ ")	SE 2x16 (3/4"x6 ⁵ / ₁₆ ")	COVE 60x8x13 (24"x3 ¹ / ₈ "x5 ¹ / ₈ ")	AI 8x8x13 (3 ¹ / ₈ "x3 ¹ / ₈ "x5 ¹ / ₈ ")	SE 60x60x8 (24"x24"x3 ¹ / ₈ ")
ESPRIT						
LAB_21						
QUARZITI 2.0						
STONES 2.0						

SPECIAL PIECES FOR POOLS



<p>Straight border 30</p> <p>Trim dimensions A: 598 mm B: 298 mm C: 20 mm</p> <p>Rectified "bull-nose"</p>	<p>Straight corner tile 30 DX</p> <p>Trim dimensions A: 598 mm B: 298 mm 45° cut for angle C: 20 mm</p> <p>Rectified "bull-nose"</p>	<p>Straight corner tile 30 SX</p> <p>Trim dimensions A: 598 mm B: 298 mm 45° cut for angle C: 20 mm</p> <p>Rectified "bull-nose"</p>	<p>Curved corner 30</p> <p>Trim dimensions A: 598 mm B: 298 mm C: 300 mm (Internal radius) C: 20 mm</p> <p>Rectified "bull-nose"</p>
---	---	---	---


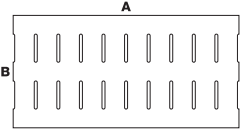

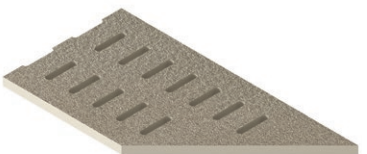
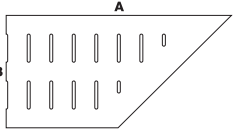


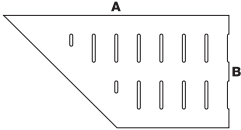

<p>Countersunk border</p> <p>Trim dimensions A: 598 mm B: 298 mm C: 20 mm Semi-elliptical countersink: 45 mm x 5 mm distance from border: 35 mm</p> <p>Rectified "bull-nose"</p>	<p>Countersunk corner tile DX</p> <p>Trim dimensions A: 598 mm B: 298 mm C: 20 mm 45° cut for angle Semi-elliptical countersink: 45 mm x 5 mm distance from border: 35 mm</p> <p>Rectified "bull-nose"</p>	<p>Countersunk corner tile SX</p> <p>Trim dimensions A: 598 mm B: 298 mm C: 20 mm 45° cut for angle Semi-elliptical countersink: 45 mm x 5 mm distance from border: 35 mm</p> <p>Rectified "bull-nose"</p>
---	---	---

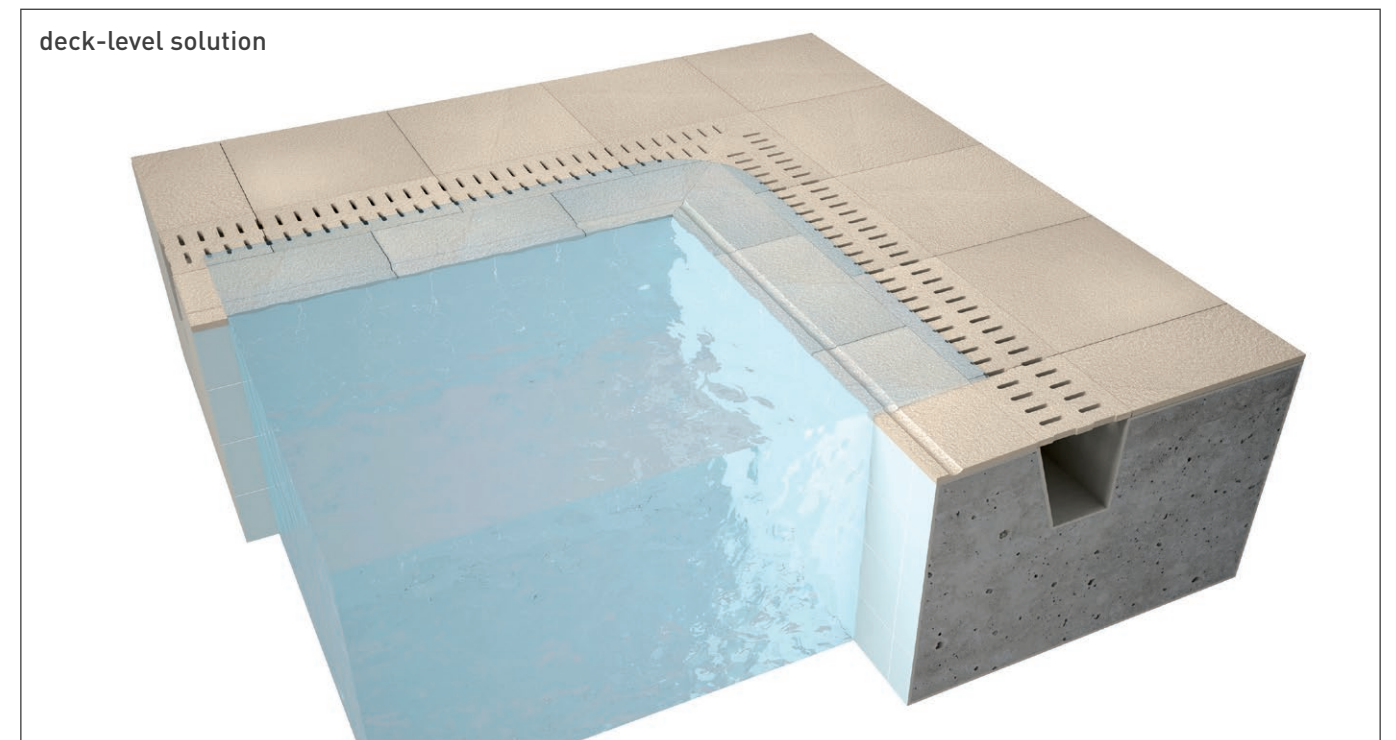
<p>Straight border 15</p> <p>Trim dimensions A: 598 mm B: 148 mm C: 20 mm</p> <p>Rectified "bull-nose"</p>	<p>Straight corner tile 15 DX</p> <p>Trim dimensions A: 598 mm B: 148 mm 45° cut for angle C: 20 mm</p> <p>Rectified "bull-nose"</p>	<p>Straight corner tile 15 SX</p> <p>Trim dimensions A: 598 mm B: 148 mm 45° cut for angle C: 20 mm</p> <p>Rectified "bull-nose"</p>	<p>Curved corner 15</p> <p>Trim dimensions A: 598 mm B: 148 mm C: 450 mm (Internal radius) C: 20 mm</p> <p>Rectified "bull-nose"</p>
---	---	---	---


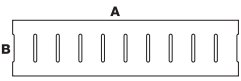

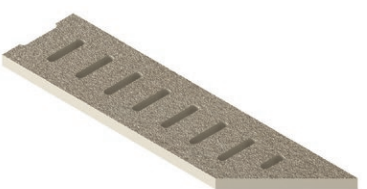
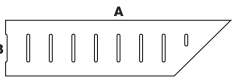

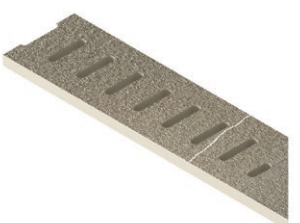
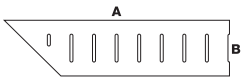

<p>Grip border</p> <p>Trim dimensions A: 598 mm B: 298 mm C: 20 mm Three millings for anti-slipperiness distance from border: 35 mm</p> <p>Rectified "bull-nose"</p>	<p>Grip corner tile DX</p> <p>Trim dimensions A: 598 mm B: 298 mm C: 20 mm 45° cut for angle Three millings for anti-slipperiness distance from border: 35 mm</p> <p>Rectified "bull-nose"</p>	<p>Grip corner tile SX</p> <p>Trim dimensions A: 598 mm B: 298 mm C: 20 mm 45° cut for angle Three millings for anti-slipperiness distance from border: 35 mm</p> <p>Rectified "bull-nose"</p>
---	---	---

SPECIAL PIECES FOR POOLS



<p>Grid 30</p>   <p>Trim dimensions</p> <p>A: 598 mm B: 298 mm C: 20 mm</p> <p>18 through holes 75 mm x 8 mm 4 half-through holes 75 mm x 8 mm</p>  <p>Rectified</p>	<p>Grid corner tile 30 DX</p>   <p>Trim dimensions</p> <p>A: 598 mm B: 298 mm C: 20 mm 45° cut for angle</p> <p>10 through holes 75 mm x 8 mm 2 through holes 37 mm x 8 mm 2 half-through holes 75 mm x 8 mm</p>  <p>Rectified</p>	<p>Grid corner tile 30 SX</p>   <p>Trim dimensions</p> <p>A: 598 mm B: 298 mm C: 20 mm 45° cut for angle</p> <p>10 through holes 75 mm x 8 mm 2 through holes 37 mm x 8 mm 2 half-through holes 75 mm x 8 mm</p>  <p>Rectified</p>
--	--	--



<p>Grid 15</p>   <p>Trim dimensions</p> <p>A: 598 mm B: 148 mm C: 20 mm</p> <p>9 through holes 75 mm x 8 mm 2 half-through holes 75 mm x 8 mm</p>  <p>Rectified</p>	<p>Grid corner tile 15 DX</p>   <p>Trim dimensions</p> <p>A: 598 mm B: 148 mm C: 20 mm 45° cut for angle</p> <p>7 through holes 75 mm x 8 mm 1 through hole 37 mm x 8 mm 1 half-through hole 75 mm x 8 mm</p>  <p>Rectified</p>	<p>Grid corner tile 15 SX</p>   <p>Trim dimensions</p> <p>A: 598 mm B: 148 mm C: 20 mm 45° cut for angle</p> <p>7 through holes 75 mm x 8 mm 1 through hole 37 mm x 8 mm 1 half-through hole 75 mm x 8 mm</p>  <p>Rectified</p>
--	--	--

